

# LASHER SPORT<sup>LLC</sup>

PO Box 112044 • Anchorage, Alaska • 99511  
 Ph: 907-529-8833 • Fax: 907-346-2256

Update: 5-1-09

## Ordered By / Ship To

Name: \_\_\_\_\_

Address: \_\_\_\_\_

City: \_\_\_\_\_ State: \_\_\_\_\_ Zip: \_\_\_\_\_

Phone Number: \_\_\_\_\_

e-Mail Address: \_\_\_\_\_

Height: \_\_\_\_\_ Weight: \_\_\_\_\_ Age: \_\_\_\_\_

Shirt Size: \_\_\_\_\_ Current Chair: \_\_\_\_\_

By signing below, you acknowledge that you understand all measurements and options on this order form and confirm that they are correct. You also acknowledge that your chair will be custom made to these specifications for you and that there are no refunds or exchanges.

Customer Signature: \_\_\_\_\_



## Frame Style

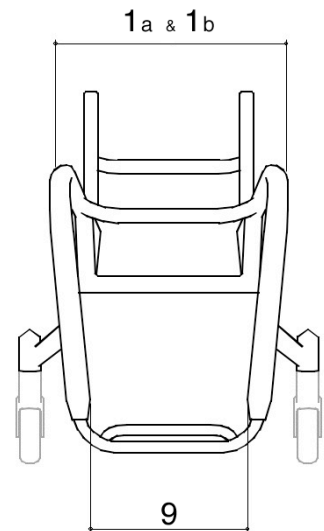
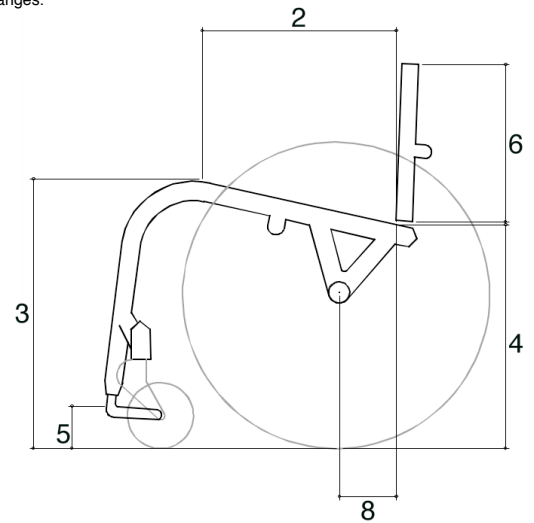
Lasher Sport BT-ATB - Base Price	\$ 4995.00
• Add Adjustable CoG + Shock absorbing rear wheels	\$ _____
Options Cost	\$ _____
Shipping (US)	\$ <u>395.00</u>
Total Cost*	\$ _____

\* A 25% deposit is required at time of order.

## Frame Dimensions

- 1- Seat Width- 14"-18" by 1": \_\_\_\_\_
- 2- Seat Depth- 16"-18" by 1": \_\_\_\_\_
- 3- Front Seat Height- 19"-22" by 1/2": \_\_\_\_\_
- 4- Rear Seat Height- 16"-21" by 1/2": \_\_\_\_\_
- 5- Foot Rest top to Ground- adjustable: \_\_\_\_\_
- 6- Back Rest Height- non-adjustable 8" - 20" by 1": \_\_\_\_\_
  - 6b- Circle one- Folding, Fixed (welded at specified angle)
- 7- Back Rest Angle (relative to ground)- adjustable- 90°-100°: \_\_\_\_\_  
*\*Backrest does not lock in upright or folded position.*
- 8- Rear Axel Center of Gravity- Non-adjustable- 0"-5" by 1/2": \_\_\_\_\_  
*\*Note: For adjustable CoG option, specify initial factory setting*
- 9- Footrest Width- By default, footrest is 3" narrower than seat width: \_\_\_\_\_
- 10- Wheel Camber: 6° standard, other: \_\_\_\_\_ Add \$350
- 11- Wheel Offset (distance from top inside of tire to backrest post): \_\_\_\_\_
- 12- Front End Angle: 90°, 100°, 110° other: \_\_\_\_\_

Additional Instructions & Special Requests: \_\_\_\_\_



## Options & Accessories

- 13- Rear wheel Axle:** Fixed Center of Gravity- Standard  
Optional: Adjustable Center of Gravity with rear shock absorbers- \$795  
\*Black Anodized shock absorber body
- 13- Footrest:** Open Loop Tube- Standard  
Aluminum Flat Plate Cover- \$95  
Diamond Plate- \$145  
Aluminum Plate w/ toe guard- \$245
- 14- Front Wheels:** Caster Size: 12.5" x 2" - Standard
- 15- Rear Wheels:** Spinergy SLX Sport (24 spoke)- Standard  
Size: 25" (559) – This is standard Mountain Bike tire size, also called 26" in mtn. bike shops.  
Spoke Color (circle one): Black, White, Yellow, Blue, Red  
Hub Color: Silver (standard), Black (optional)
- 16- Rear Tires:** (list make and model- must be a standard mountain bike tire) \_\_\_\_\_
- 17- Hand Rims:** Silver Hard Anodized – Standard  
Vinyl Coated- \$195  
Natural Fit Hand Rims– Optional \$395
- 18- Wheel Locks:** None- Standard  
Push to Lock- \$185  
Scissor- \$185  
D's Locks- \$695  
ADI Disc Brakes- \$1395 (with dual brake levers for breaking and steering control)
- 19- Push Bar:** Adjustable Angle mountain bike style- \$295
- 19- Side Guards:** Custom Plate Aluminum Side Guards- \$395  
Custom Cut Graphic Inserts- \$450
- 20- Back Upholstery:** Tension carbon fiber laminate Adjustable – Standard  
Optional: ADI Carbon Fiber Backrest – Low 10" high - \$695  
Mid 13" high - \$795  
Standard 16" high - \$795
- 21- Seat Upholstery:** Tension Adjustable – Standard  
Optional: Dragon Plate Carbon Fiber seat base- \$695
- 24- Calf Strap:** \$45
- 26- Seat Cushion:** None- Standard  
Optional: Jay Basic: \$125  
Custom Cushion- Please Specify \_\_\_\_\_  
(Cost will be confirmed before cushion is ordered)



## Frame Finish

- 25- Main Frame and Backrest-**  
Powder Coat (basic colors)- Standard  
Premium Powder Coat Color- \$395 and up  
Custom Camo or Graphic Paint- \$695
- 26- Frame Caps and accessory finish-**  
Semi-Gloss Finish- Standard  
Mirror Polished- \$295  
Custom Color Anodized- \$395  
Matching Camo or Graphic Paint- \$395

## Other Options:

These chairs are completely custom made for you, so it's impossible to include every option. If we've missed something you'd like, please make note of it here: \_\_\_\_\_

---