



This form is designed to be filled out using Adobe Acrobat. E-Mail completed form to sales@lashersport.com



5720 Arville St. Suite 105
Las Vegas, Nevada 89118

Ph: 907-529-8833
Fax: 702-754-0889



0418

ATH-FS.2 Order Form

Date: _____
 PO #: _____
 Mark For: _____
 Ordered By: _____
 Contact: _____
 Address: _____
 City: _____ State: _____ ZIP: _____
 Phone: _____ Fax: _____
 E-mail: _____

Shipping Information

Ship to: _____
 Address: _____
 City: _____ State: _____ ZIP: _____
 Provenance: _____ Country: _____
 Shipping Phone: _____
 Shipping Notes: _____

- Price Quote Only
 I'd Like to Place an Order

Frame Style

- Lasher Sport ATH-FS.2 - All Terrain Handcycle \$9,995.00
*Three wheel independent suspension, recumbent style.
 * Max rider weight 220 pounds (100 Kg)*

Frame Dimensions

Seat Width / Rear Wheel Width

Seat Width is measured from inside of seat rails.

- Seat Width- 16" (40.6cm), Rear Wheel Width- 33" (83.8cm)

Seat Depth

Measure from front of backrest post to front edge of seat sling.

- Adjustable: 14" (35.5cm) - 18" (45.7cm)

Back Height

Measured from seat base to top of backrest.

- 18" (45.7cm) - Standard 22" (55.9cm) - \$295
 20" (50.8cm) - \$295 24" (61.0cm) - \$295

Backrest Angle

Angle measured from floor plane to back plane.

- Adjustable: 70° - 90°

Footrest Style

- Adjustable with padded ankle slings and Velcro ankle restraints.

Upholstery

- Seat:** Tension Strap
Back: Tension Strap with 1.25" (3.2cm) foam padding

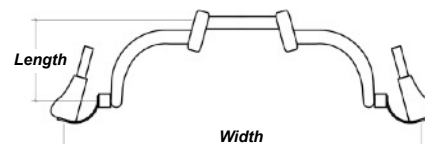
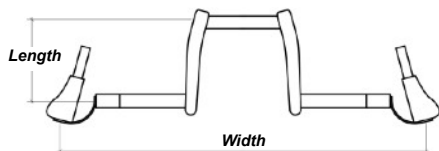
Crank Arms

- Width by crank extenders- Standard
** Less leg clearance with this method vs 'Bull Horn' Style.*

- Optional: Custom Welded 'Bull Horn'- \$495
** Powder Coated to match frame color.*

- Width- 23.5" (60cm)
 Length- 6.8" (170mm)

- Width- 25" (63.5cm)
 Length- 7.25" (185mm)



Options and Accessories

Components

- Shift Lever(s)**- Shimano XT 11-speed shifter *(2x11 standard, 1x11 with eRad motor option)*
- Cassette**- Shimano XT 11-46T
- Crank**- Shimano XT
- Front Derailleur**- Shimano XT *(No front derailleur with eRad motor option)*
- Rear Derailleur**- Shimano XT
- Chain**- Shimano HG701
- Headset**- Cane Creek 40
- Front Wheel Shock**- Fox Float DPS Factory
- Rear Wheel Shocks**- Fox Float DPS Factory
- Front Wheel Brake**- SRAM Guide RS
- Rear Brakes**- Tektro with lockout lever

- Shimano XT Di2 Electronic Shifting Upgrade**- Optional +\$1,495

** Electronic shifting option replaces mechanical XT shifter(s) and derailleur(s) and includes display, battery, charger, wiring, setup and configuration.*

Wheel Set ** Wheel Set selection must be compatible with Fork and Tire Size below.*

- Wire wheel with 6 bolt disc- Standard *(fork compatible with 26", 27.5", and 29er wheel sizes. **Not compatible with plus and fat tire sizes.**)*
- Spinergy Xyclone with 6 bolt disc- Optional, +\$1,295 *(fork compatible with 26", 27.5", and 29er wheel sizes. **Not compatible with plus and fat tire sizes.**)*
- Custom Built Fat and Plus Tire Wheel with 6 bolt disc- Optional, +\$1,495 *(fork compatible with 26" Fat Tire, or 27.5"+ and 29er+ wheel sizes.)*

Fork and Tire Size ** Fork and Tire Size selection must be compatible with Wheel Set selection above.*

- 26" (559)- Standard
 - Schwalbe Racing Ralph- 26" x 2.1"- Standard
 - Schwalbe Nobby Nic- 26" x 2.25"- NCO
 - Schwalbe Hans Dampf- 26" x 2.35"- NCO
- 26" (559) Fat Tire- Optional +\$795
 - Schwalbe Jumbo Jim- 26" x 4.0"- Standard
 - Schwalbe Jumbo Jim+- 26" x 4.8"- NCO
- 27.5" (650B)- Optional +\$495
 - Schwalbe Racing Ralph- 27.5" x 2.1"- Standard
 - Schwalbe Nobby Nic- 27.5" x 2.25"- NCO
 - Schwalbe Hans Dampf- 27.5" x 2.35"- NCO
- 27.5"+ (650B)- Optional +\$595
 - Schwalbe Rocket Ron- 27.5"+ x 3.0"- Standard
 - Surly Dirt Wizard- 27.5"+ x 3.0"- NCO
- 29er (700C)- Optional +\$495
 - Schwalbe Racing Ralph- 29er x 2.25"- Standard
 - Schwalbe Nobby Nic- 29er x 2.25"- NCO
 - Schwalbe Hans Dampf- 29er x 2.35"- NCO
- 29er+ (700C)- Optional +\$595
 - Schwalbe Nobby Nic- 29er+ x 2.6"- Standard
 - Surly Knard- 29er+ x 3.0"- NCO
 - Surly Dirt Wizard- 29er+ x 3.0"- NCO



Racing Ralph
26" x 2.1"
27.5" x 2.1"
29er x 2.25"

Nobby Nic
26" x 2.25"
27.5" x 2.25"
29er x 2.25"
29er+ x 2.6"

Hans Dampf
26" x 2.35"
27.5" x 2.35"
29er x 2.35"



Rocket Ron
27.5"+ x 3.0"



Jumbo Jim
26" Fat x 4.0"
26" Fat x 4.8"



Surly Knard
29er+ x 3.0"



Surly Dirt Wizard
27.5" x 3.0"
29er+ x 3.0"

Tube / Tubeless Setup

- Tubes- Standard
- Tubeless- Stan's No Tube System, +\$195

Power Option

- NO optional power system- Standard
- eRad 750watt Electric Power System, mid-mount, Optional- +\$2,495
 - 750 Watt Motor
 - 17.4Ah Battery
 - Color Display
 - Throttle (engages from stopped)
 - 4 Boost settings
 - System Mounting hardware, Install, and configuration
- eRad 1000watt Electric Power System, mid-mount, Optional- +\$2,995
 - 1000 Watt Motor
 - 17.4Ah Battery
 - Color Display
 - Throttle (engages from stopped)
 - 4 Boost settings
 - System Mounting hardware, Install, and configuration

Crank Handles

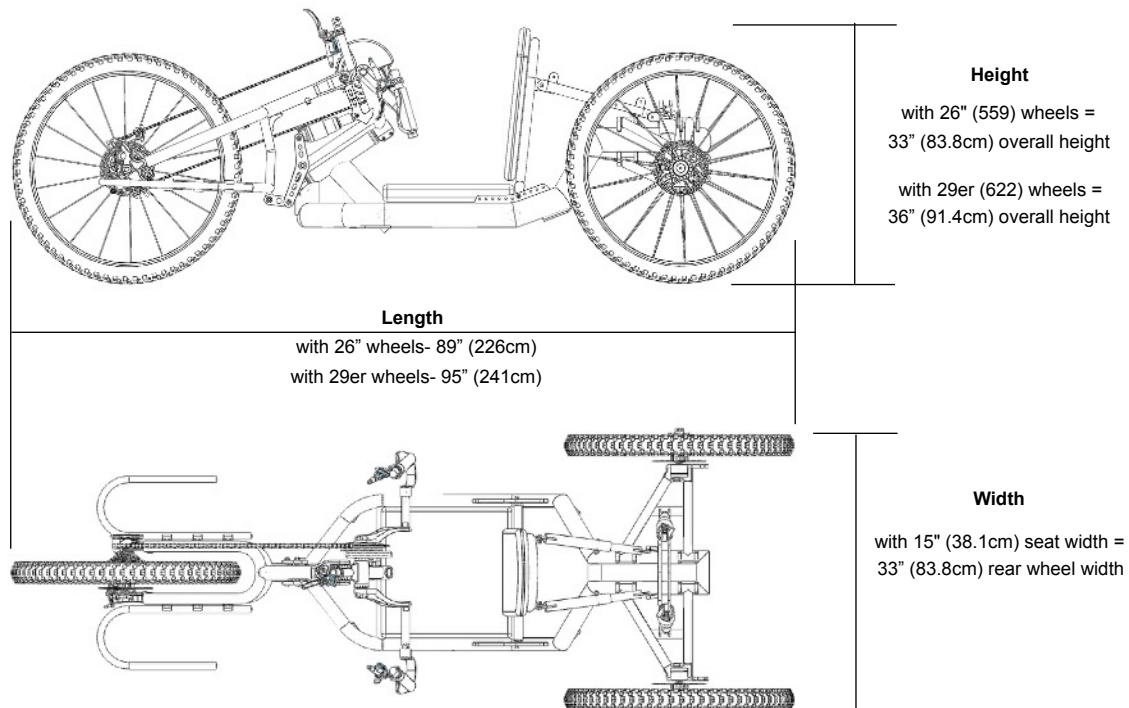
- Ergo Grips, Standard
- Quad Grips, Optional- +\$695 * May require additional cost depending on setup.

Accessories

- Flag with frame mount- +\$155
- Click Strap Seat Belt- +\$175
- Seat Cushion-
 - * Standard handcycle includes back rest cushion, but does not include seat cushion.
 - Contoured Foam- +\$165
 - Supracor Stimulite Silver- +\$225
- Handcycle Hauler- +\$1,395 * Requires a 2" Trailer Hitch- Carries 1 handcycle
- Handcycle Hauler with 2 bicycle attachment- +\$1,995 * Requires a 2" Trailer Hitch- Carries 1 handcycle plus 2 mountain bikes.

Handcycle Dimensions

* Dimensions below are a close approximation but will change depending on wheel and tire size.



Frame Finish- Color Options

*Powder coat is a baked on finish. *Colors and shades can look different than the samples below.

Powder Coat Finish, Single Color- Included

* Select a color from the two columns below.

Powder Coat Finish, Illusion and Multi-Coat Colors- No Cost Option

* Select a color from the two columns below.

Powder Coat Finish, Two Tone- \$595

* Select any two colors from this page and list at right.

Main Frame Color- _____

Suspension Color- _____

<p><input type="checkbox"/> Gloss White PSS-5690 </p> <p><input type="checkbox"/> Satin Titanium UMB-1860 </p> <p><input type="checkbox"/> Heavy Silver PMS-517 </p> <p><input type="checkbox"/> Galaxy Silver PMB-4936 </p> <p><input type="checkbox"/> Mega Grey PMB-6831 </p> <p><input type="checkbox"/> Black Jack (Flat) USS-1522 </p> <p><input type="checkbox"/> Gloss Black USS-2603 </p> <p><input type="checkbox"/> Royal Maroon PSB-5076 </p> <p><input type="checkbox"/> Vampire Red PSS-3013 </p> <p><input type="checkbox"/> Really Red PSS-4416 </p> <p><input type="checkbox"/> Flame Red PSS-5082 </p> <p><input type="checkbox"/> Sweet Raspberry PSB-6896 </p> <p><input type="checkbox"/> International Orange PPS-4750 </p> <p><input type="checkbox"/> Harley Orange PMB-2829 </p> <p><input type="checkbox"/> Indy Orange PPB-6513 </p> <p><input type="checkbox"/> Caterpillar Yellow PSS-2550 </p> <p><input type="checkbox"/> Hot Yellow PSS-1623 </p>	<p><input type="checkbox"/> Sunshine Yellow PSS-2600 </p> <p><input type="checkbox"/> Honda Yellow PMB-1657 </p> <p><input type="checkbox"/> Neon Yellow PSS-1104 </p> <p><input type="checkbox"/> Energy Green PSB-6669 </p> <p><input type="checkbox"/> Racer Green PSS-4531 </p> <p><input type="checkbox"/> Tractor Green PSS-4517 </p> <p><input type="checkbox"/> Signal Green PSS-2786 </p> <p><input type="checkbox"/> Army Green (Flat) PSB-4944 </p> <p><input type="checkbox"/> Tropical Breeze PSS-6837 </p> <p><input type="checkbox"/> Miami Teal PSB-6532 </p> <p><input type="checkbox"/> Bic Blue PSB-6932 </p> <p><input type="checkbox"/> Deere Blue PSB-4785 </p> <p><input type="checkbox"/> Ford Dark Blue PSB-4624 </p> <p><input type="checkbox"/> Sinbad Purple PSS-1676 </p> <p><input type="checkbox"/> Sweet Plum PSS-1054 </p> <p><input type="checkbox"/> Whimsy Pink PSS-0874 </p> <p><input type="checkbox"/> Lazer Polka Pink PMB-2340 </p>	<p><input type="checkbox"/> Rose Gold PMB-10047 </p> <p><input type="checkbox"/> Illusion True Copper PMB-10044 </p> <p><input type="checkbox"/> Light Shattered Glass PPB-6659 </p> <p><input type="checkbox"/> Illusion Malbec PMB-6906 </p> <p><input type="checkbox"/> Oxblood Ransom PPB-4537 </p> <p><input type="checkbox"/> Illusion Rootbeer PMB-6924 </p> <p><input type="checkbox"/> Illusion Copper Plus PMB-5043 </p> <p><input type="checkbox"/> Illusion Red PMS-4515 </p> <p><input type="checkbox"/> Lollypop Red UPS-1506 </p> <p><input type="checkbox"/> Illusion Cherry PMB-6905 </p> <p><input type="checkbox"/> Striker Orange PPS-4750 </p> <p><input type="checkbox"/> Illusion Shocker PMB-10050 </p> <p><input type="checkbox"/> Flat Shocker Yellow PPB-6524 </p> <p><input type="checkbox"/> Illusion Sour Apple PMB-6913 </p> <p><input type="checkbox"/> Psycho Green PPB-4658 </p> <p><input type="checkbox"/> Illusion Green Ice PMB-7025 </p> <p><input type="checkbox"/> Illusion Money PMB-6917 </p>	<p><input type="checkbox"/> Ultra Illusion Green PMB-5346 </p> <p><input type="checkbox"/> Illusion Tropical PMB-6919 </p> <p><input type="checkbox"/> Pastel Blue PPB-4559 </p> <p><input type="checkbox"/> Illusion Pacific PMB-6911 </p> <p><input type="checkbox"/> Aurora Blue PPB-6006 </p> <p><input type="checkbox"/> Illusion Blueberry PMB-6908 </p> <p><input type="checkbox"/> Illusion Royal PMS-6925 </p> <p><input type="checkbox"/> Lollypop Blue UPS-2502 </p> <p><input type="checkbox"/> Dazzling Blue PPB-4329 </p> <p><input type="checkbox"/> Bentley Blue PPB-4711 </p> <p><input type="checkbox"/> Chameleon Sapphire PPB-5729 </p> <p><input type="checkbox"/> Lollypop Purple PPS-1505 </p> <p><input type="checkbox"/> Illusion Purple PSB-4629 </p> <p><input type="checkbox"/> Illusion Violet PSS-4514 </p> <p><input type="checkbox"/> Illusion Pink PMB-10046 </p> <p><input type="checkbox"/> Racing Raspberry UPB-6610 </p> <p><input type="checkbox"/> Corkey Pink PPS-5875 </p>
---	--	--	---