

LASHER SPORT^{LLC}

PO Box 112044 • Anchorage, Alaska • 99511
 Ph: 907-529-8833 • Fax: 907-346-2256

Update: 5-15-10

Ordered By / Ship To

Name: _____

Address: _____

City: _____ State: _____ Zip: _____

Phone Number: _____

e-Mail Address: _____

Height: _____ Weight: _____ Age: _____

Shirt Size: _____ Current Chair: _____

By signing below, you acknowledge that you understand all measurements and options on this order form and confirm that they are correct. You also acknowledge that your chair will be custom made to these specifications for you and that there are no refunds or exchanges.

Customer Signature: _____



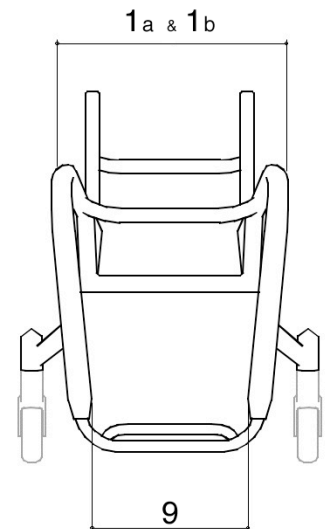
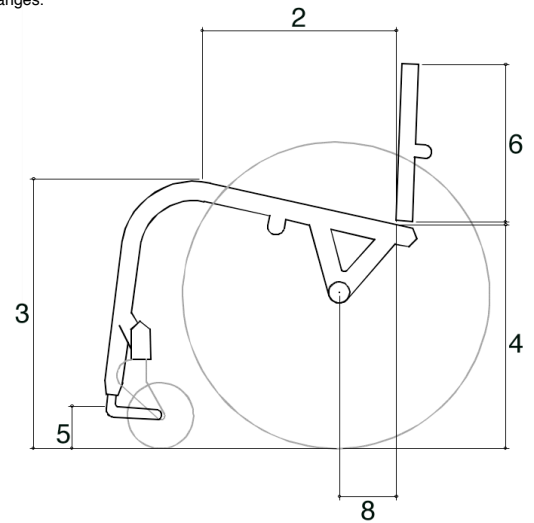
Frame Style

Lasher Sport BT Ballistic - Base Price	\$ 7995.00
Options Cost	\$ _____
Shipping (US)	\$ <u>295.00</u>
Total Cost*	\$ _____

* A 50% deposit is required at time of order.

Frame Dimensions

- 1a- Seat Width- 14"-18" by 1": _____
- 1b- Taper Option: Front Seat Width- 14"-18" by 1": _____ Add \$295.00
- 2- Seat Depth- 14"-18" by 1": _____
- 3- Front Seat Height- 16"-21" by 1/2": _____
- 4- Rear Seat Height- 15"-20" by 1/2": _____
- 5- Foot Rest top to Ground- Slightly adjustable: _____
- 6- Back Rest Height-fixed (folding)- 5"-20" by 1": _____
- 7- Back Rest Angle (relative to ground)- adjustable- 80°-100°: _____
**Backrest does not lock in upright or folded position.*
- 8- Rear Axel Center of Gravity- Non-adjustable- 0"-5" by 1/2": _____
- 9- Footrest Width- By default, footrest is 3" narrower than seat width: _____
- 10- Wheel Camber: 2° standard, Other: _____ Add \$295
- 11- Wheel Offset (distance from top inside of tire to backrest post): _____
- 12- Front End Angle: 80°, 85°, 90°, other: _____



Additional Instructions & Special Requests:

Options & Accessories

- 13- Rear wheel Axle:** Fixed Center of Gravity- Standard
Optional: Adjustable Center of Gravity with rear shock absorbers- \$795
* This option includes mirror polish finish
- 14- Footrest:** Ballistic Plate- Standard
Open Loop Tube- No Charge Option
Flat Plate Cover- No Charge Option
Diamond Plate- No Charge Option
- 15- Front Wheels:** Frog Legs Ultra Sport- Standard
Caster Size: 3"x1" caster, 3"x1.5" caster, 4"x1" Caster, 4"x1.5" Caster, 5"x1" Caster, 5"x1.5" Caster
Caster Size: other _____
- 16- Rear Wheels:** Glance Aluminum Billet 'Vortex' style wheel, Mirror Polished 25" (559)- Standard
Optional: Other Glance Styles (25" only)- Recluse, Terminator, Swish, Sun, Triton, Classic, Cross
Optional: Custom color anodized Glance wheels- \$295
Optional: Spinergy LX or SLX (Everyday or Sport)- No Charge Option
Size: 24" (540), 25" (559), 26" (590)
Spoke Color (circle one)- White, Black, Yellow, Blue, Red
Optional: Custom color anodized Spinergy hubs and rims- \$395
- 17- Rear Tires:** Schwalbe Marathon Plus- Standard
Optional- Knobby, Solid, Other (list make and model) _____
- 18- Hand rims:** Silver Anodized – Standard
Custom color anodized rims: \$195
- 19- Wheel Locks:** None- Standard
Push to Lock- \$185
Scissor- \$185
D's Locks (integrated with frame)- \$695
- 20- Push Handles:** None- Standard
Optional- Aluminum push handles (removable)- \$250
Optional- Carbon Fiber Handles- \$295
- 21- Side Guards:** : Custom Plate Aluminum Side Guards (mirror polished)- \$395
Custom Cut Graphic Aluminum Side Guards (mirror polished)- \$450
Custom Dragon Plate Carbon Side Guards (high gloss) - \$495
- 22- Back Upholstery:** Tension Adjustable – Standard
Optional: ADI Carbon Fiber Backrest – Low 10" high - \$695
Mid 13" high - \$795
Standard 16" high - \$795
- 23- Seat Upholstery:** Tension Adjustable – Standard
Optional: Dragon Plate Carbon Fiber laminate seat base- \$695
- 24- Axels:** Quick release (large button)- Standard
- 25- Calf Strap:** \$45
- 26- Frame Bumper (neoprene):** \$45
- 27- Seat Cushion:** None- Standard
Optional: Jay Basic: \$90
Custom Cushion- Please Specify _____
(Cost will be confirmed before cushion is ordered)



Frame Finish

- 28- Main Frame and Backrest-**
Highly Polished Mirrored Finish- Standard
Custom Anodized (includes polished finish)- \$695
- 29- Frame Caps and accessory finish-**
Mirrored Finish - Standard
Custom Color Anodized- \$395

Other Options:

These chairs are completely custom, so it's impossible to include every option. If we've missed something you'd like, please make note of it here: _____