

# LASHER SPORT<sup>LLC</sup>

PO Box 112044 • Anchorage, Alaska • 99511  
Ph: 907-529-8833 • Fax: 907-346-2256

Update: 5-01-09

## Ordered By / Ship To

Name: \_\_\_\_\_

Address: \_\_\_\_\_

City: \_\_\_\_\_ State: \_\_\_\_\_ Zip: \_\_\_\_\_

Phone Number: \_\_\_\_\_

e-Mail Address: \_\_\_\_\_

Height: \_\_\_\_\_ Weight: \_\_\_\_\_ Age: \_\_\_\_\_ Injury: \_\_\_\_\_

Shirt Size: \_\_\_\_\_ Current Chair: \_\_\_\_\_

By signing below, you acknowledge that you understand all measurements and options on this order form and confirm that they are correct. You also acknowledge that your chair will be custom made to these specifications for you and that there are no refunds or exchanges.

Customer Signature: \_\_\_\_\_



## Frame Style-

Lasher Sport BT-Mg-A Adjustable CoG Magnesium \$ 5495.00

Options Cost \$ \_\_\_\_\_

Shipping (US) \$ 295.00

Total Cost\* \$ \_\_\_\_\_

\* A 25% deposit is required at time of order.

## Frame Dimensions

1a- Seat Width- 14"-18" by 1": \_\_\_\_\_

1b- Taper Option: Front Seat Width- 14"-18" by 1": \_\_\_\_\_ Add \$295.00

2- Seat Depth- 14"-18" by 1": \_\_\_\_\_

3- Front Seat Height- 17"-21" by 1/2": \_\_\_\_\_

4- Rear Seat Height- 16"-20" by 1/2": \_\_\_\_\_

5- Foot Rest top to Ground- Slightly adjustable: \_\_\_\_\_

6- Back Rest Height fixed height (folding)- 5"-20" by 1" : \_\_\_\_\_

7- Back Rest Angle (relative to ground)- adjustable- 80°-100°: \_\_\_\_\_

*\*Backrest does not lock in upright or folded position.*

8- Rear Axel Center of Gravity (CoG)- \*Adjustable- Initial Setting- 0"-5" by 1/2": \_\_\_\_\_

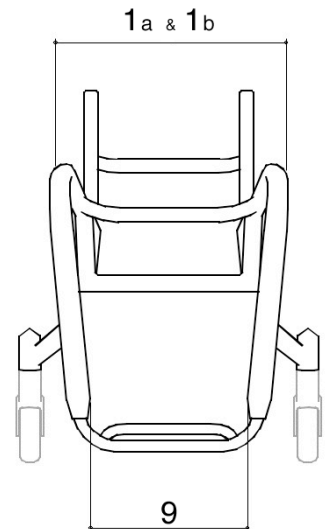
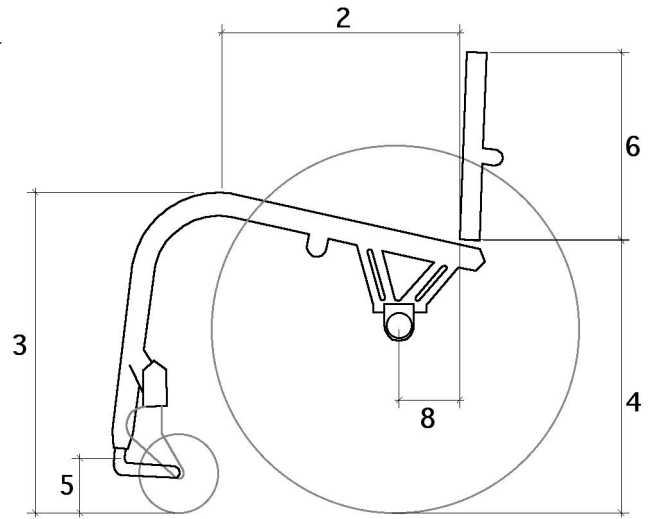
*\* Rear Axel Center of Gravity is adjustable +1" or -1" by .5" increments from initial setting.*

9- Footrest Width- By default, footrest is 2.75" narrower than seat width: \_\_\_\_\_

10- Wheel Camber: 2° standard Other: \_\_\_\_\_ Add \$295

11- Wheel Offset (distance from top inside of tire to backrest post): \_\_\_\_\_

12- Front End Angle: 80°, 85°, 90°, other: \_\_\_\_\_



Additional Instructions & Special Requests:

---



---

## Options & Accessories

- 13- Footrest:** Open Loop Tube- Standard  
Flat Aluminum Plate Cover- \$95  
Diamond Plate Cover- \$145  
Carbon Plate Cover- \$225
- 14- Front Wheels:** Frog Legs Uni-tine Fork- Standard  
Frog Legs Ultra Sport (shock absorbing)- Optional, \$195  
Dubbs 84mm (3.25") with Titanium Bearings, Clear Tread or Black Tread- Standard  
Optional - Aluminum Hub Caster- Size: 3"x1", 3"x1.5", 4"x1", 4"x1.5"- \$55  
Caster Size: other \_\_\_\_\_ - \$TBD
- 15- Rear Wheels:** Spinergy LX Everyday or SLX Sport- Standard  
Size: 24" (540), 25" (559), 26" (590)  
Spoke Color (circle one): Black (standard), White, Yellow, Blue, Red  
Hub Color: Silver (standard), Black (optional)  
Optional: Custom color anodized Spinergy hubs and rims: \$395  
Optional: Glance Aluminum Billet Wheels (25" only): \$295 and up  
Glance Style (circle one): Recluse, Vortex, Terminator, Swish, Sun, Triton, Classic, Cross  
Optional: Custom color anodized Glance wheels: \$395  
Optional: Round Betty Wheels: \$495 Finish Choice: \_\_\_\_\_
- 16- Rear Tires:** Primo Racer, Silver Buller, Passage- Standard  
Optional- Schwalbe Marathon Plus Evo- \$55  
Optional- Other (list make and model) \_\_\_\_\_ - \$TBD
- 17- Handrims:** Hard Anodized – Standard  
Spinergy Flex Fit (Available on Spinergy LX Only)- \$295  
Natural Fit Handrims, original <or> New LT- \$395  
Vinyl <or> foam coated- \$195  
Custom color anodized handrims- \$195
- 18- Wheel Locks:** None- Standard  
Push to Lock- \$185  
Scissor- \$185  
D's Locks (integrated with frame)- \$695
- 19- Push Handles:** None- Standard  
Black anodized aluminum- \$250  
Carbon Fiber- \$295
- 20- Side Guards:** Custom Plate Aluminum Side Guards- \$395  
Custom Cut Graphic Aluminum Side Guards- \$450  
Custom Dragon Plate Carbon Side Guards - \$495
- 21- Back Upholstery:** Tension carbon fiber laminate Adjustable – Standard  
Optional- ADI Carbon Fiber Backrest – Low 10" high - \$695  
Mid 13" high- \$795  
Standard 16" high - \$795
- 22- Seat Upholstery:** Tension carbon fiber laminate Adjustable – Standard  
Optional- Dragon Plate Carbon Fiber seat base- \$695
- 23- Calf Strap:** \$45
- 24- Frame Bumper (neoprene):** \$45
- 25- Seat Cushion:** None- Standard  
Optional: Jay Basic: \$125  
Custom Cushion- Please Specify \_\_\_\_\_ - \$TBD  
*(Cost will be confirmed before cushion is ordered)*

## Frame Finish

- 26- Main Frame and Backrest-**  
Powder Coat (basic colors)- Standard  
Custom Powder Coat Color- \$295
- 27- Frame Caps and accessory finish-**  
Semi-Gloss Finish- Standard  
Mirrored Finish - \$295  
Custom Color Anodized- \$395

## Other Options:

These chairs are completely custom made for you, so it's impossible to include every option. If we've missed something you'd like, please make note of it here: \_\_\_\_\_

---