

LASHER SPORT^{LLC}

PO Box 112044 • Anchorage, Alaska • 99511
Ph: 907-529-8833 • Fax: 907-346-2256

Update: 3-1-10

Ordered By / Ship To

Name: _____

Address: _____

City: _____ State: _____ Zip: _____

Phone Number: _____

e-Mail Address: _____

Height: _____ Weight: _____ Age: _____ Injury: _____

Shirt Size: _____ Current Chair: _____

By signing below, you acknowledge that you understand all measurements and options on this order form and confirm that they are correct. You also acknowledge that your chair will be custom made to these specifications for you and that there are no refunds or exchanges.

Customer Signature: _____



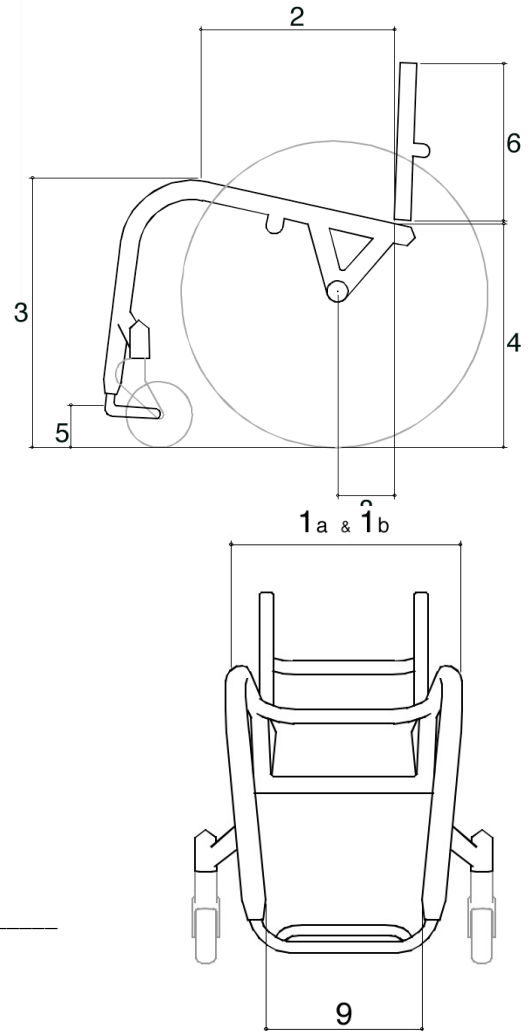
Frame Style-

Lasher Sport BT-X \$ 4795.00
Options Cost \$ _____
Shipping (US) \$ 295.00
Total Cost* \$ _____

* A 50% deposit is required at time of order.

Frame Dimensions

- 1a- Seat Width- 14"-18" by 1": _____
- 1b- Taper Option: Front Seat Width- 14"-18" by 1": _____ Add \$295.00
- 2- Seat Depth- 14"-18" by 1": _____
- 3- Front Seat Height- 16"-21" by 1/2": _____
- 4- Rear Seat Height- 15"-20" by 1/2": _____
- 5- Foot Rest top to Ground- Slightly adjustable: _____
- 6- Back Rest Height fixed height (folding)- 5"-20" by 1" : _____
- 7- Back Rest Angle (relative to ground)- adjustable- 80°-100°: _____
**Backrest does not lock in upright or folded position.*
- 8- Rear Axel Center of Gravity (CoG)- 0"-5" by 1/2": _____
- 9- Footrest Width- By default, footrest is 3" narrower than seat width: _____
- 10- Wheel Camber: 2° standard Other: _____ Add \$295
- 11- Wheel Offset (distance from top inside of tire to backrest post)- 1" minimum: _____
- 12- Front End Angle: 80°, 85°, 90°, other: _____



Additional Instructions & Special Requests:

Options & Accessories

- 13- Rear wheel Axle:** Fixed Center of Gravity- Standard
Optional: Adjustable Center of Gravity
+1" to -1" by .5"- \$495
Optional: Adjustable Center of Gravity
with rear shock absorbers- \$795



- 13- Footrest:** Open Loop Tube- Standard
Flat Aluminum Plate Cover- \$95
Diamond Plate Cover- \$145
Carbon Plate Cover- \$225

- 14- Front Wheels:** Frog Legs Ultra Sport (shock absorbing)- Standard
Aluminum Hub Caster- Size: 4"x1.5", 5"x1.5"
Caster Size: other _____ - \$TBD

- 15- Rear Wheels:** Spinergy LX Everyday or SLX Sport- Standard
(everyday chair setup)
Size: 25" (559)- Standard
Spoke Color (circle one): Black (standard), White, Yellow, Blue, Red, Orange, Green, Pink
Hub Color: Silver (standard), Black (optional)
Optional: Custom color anodized Spinergy hubs and rims: \$395
Optional: Glance Aluminum Billet Wheels (25" only): \$395 and up
Glance Style (circle one): Recluse, Vortex, Terminator, Swish, Sun, Triton, Classic, Cross
Optional: Custom color anodized Glance wheels: \$395
Optional: Round Betty Wheels: \$495 Finish Choice: _____

- 16- Rear Tires:** Schwalbe Marathon Plus Evo- Standard
(everyday chair setup) Optional- Other (list make and model) _____ - \$TBD

- 17- Handrims:** Hard Anodized, silver – Standard
(everyday chair setup) Spinergy Flex Fit (Available on Spinergy LX Only)- \$295
Natural Fit Handrims, original <or> New LT- \$395
Vinyl <or> foam coated- \$295
Custom color anodized handrims- \$195

- 18- Wheel Locks:** None- Standard
Push to Lock- \$195 *(will not lock wheels between interchangeable wheel sizes without adjustment)*
Scissor- \$195 *(will not lock wheels between interchangeable wheel sizes without adjustment)*
D's Locks (integrated with frame)- \$695

- 19- Push Handles:** None- Standard
Black anodized aluminum- \$295
Carbon Fiber- \$395

- 20- Side Guards:** Custom Plate Aluminum Side Guards- \$395
Custom Cut Graphic Aluminum Side Guards- \$450
Custom Dragon Plate Carbon Side Guards - \$495

- 21- Back Upholstery:** Tension carbon fiber laminate Adjustable – Standard
Optional- ADI Carbon Fiber Backrest – Low 10" high - \$695
Mid 13" high- \$795
Standard 16" high - \$845

- 22- Seat Upholstery:** Tension carbon fiber laminate Adjustable – Standard
Optional- Dragon Plate Carbon Fiber seat base- \$795

23- Calf Strap: \$45

24- Frame Bumper (neoprene): \$45

- 25- Seat Cushion:** None- Standard
Optional- Custom Cushion- Please Specify _____ - \$TBD
(Cost will be confirmed before cushion is ordered)

Frame Finish

26- Main Frame and Backrest-

- Basic Anodized (see basic color chart)- Standard
Color Choice- _____
Custom Anodized (see custom color chart)- \$495
Color Choice- _____

27- Frame Caps and accessory finish-

- Silver Anodized- Standard
Black Anodized- \$195
Custom Color Anodized- \$295

Optional X-Wheel Setups

28- Beach Setup-

\$2495, includes 4" wide beach wheels and 5" wide Quick-Connect beach casters



- Beach setup includes rear wheels with axles and front caster Quick-Connect assembly.
- Beach setup attaches to your existing BT-X frame.
- Quick-Connect beach casters anodized same color as frame.
- Push rims are silver anodized

Optional: D's Lock's lock rings mounted on wheels: \$395

* Package Discount: -\$400 (*must be purchased at time of chair order*)

Shipping: \$195 (within US)

29- Multi-Terrain Setup- \$2195, includes Spinerger SLX rear wheels with Nobby Nic tires and 6"x1.5" Quick-Connect casters



- Multi-Terrain setup includes rear wheels with axles and front caster Quick-Connect assembly.
- Multi-Terrain setup attaches to your existing BT-X frame.
- Quick-Connect casters anodized same color as frame.

Rear wheel Size: 25" (559)- Standard Mountain Bike Size

Spoke Color (circle one): Black (standard), White, Yellow, Blue, Red, Orange, Green, Pink

Hub Color: Silver (standard), Black (optional)

Optional: D's Lock's lock rings mounted on wheels: \$395

* Package Discount: -\$400 (*must be purchased at time of chair order*)

Shipping: \$195 (within US)

30- Travel Trailer-

\$995, includes travel trailer and chair mounting hardware—wheels not included



- Travel trailer is designed to use with Beach or Multi-terrain wheel sets. (*travel trailer does not have wheel locks*)

Anodized Black- Standard

Optional- Anodized to match chair frame: \$295

* Package Discount: -\$200 (*must be purchased at time of chair order*)

Shipping: \$125 (within US)

Other Chair Options:

These chairs are completely custom made for you, so it's impossible to include every option. If we've missed something you'd like, please make note of it here: _____
